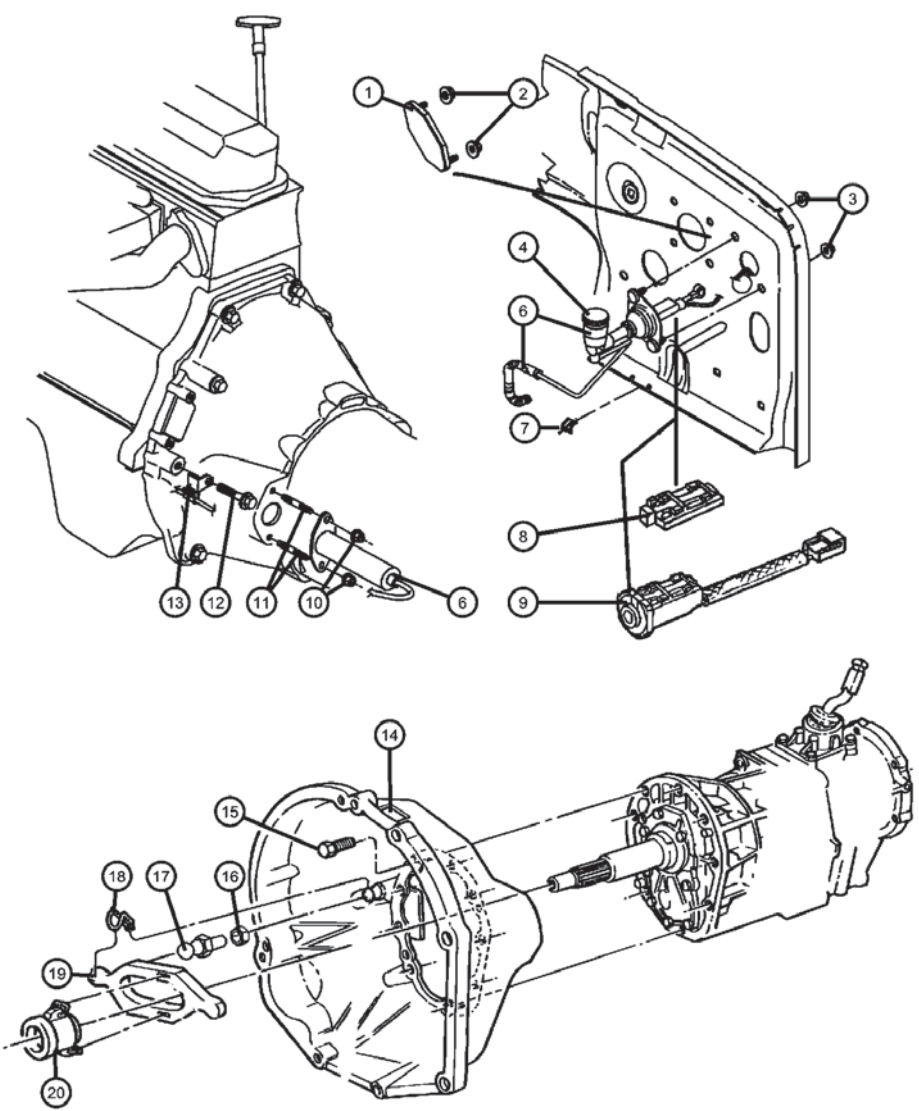


Controls,Hydraulic Clutch
Figure 6-310



ITEM	PART NUMBER	QTY	LINE	SERIES	BODY	ENGINE	TRANS	TRIM	DESCRIPTION
------	-------------	-----	------	--------	------	--------	-------	------	-------------

NOTE:Sales Codes:
[DBB]=All Manual Transmissions
[DDQ]=5-Speed Manual Transmission
[EP0]=All 2.5L 4 Cylinder Gas Engines
[ER0]=All V6 Engines

1	52104013	1					DG0		COVER, Master Cylinder
2	J4003909	2							NUT, Hex Flange With Serration, Master Cylinder Cover to Dash, Mounting
3	J4003909	2							NUT, Hex Flange With Serration, Master Cylinder to Dash, Mounting
4	04883544AA	1	J				DBB		CAP, Clutch Reservoir
		1	U				DBB		
-5									DIAPHRAGM, Clutch Reservoir
	05015607AA	1	J				DBB		
		1	U				DBB		
6									HYDRAULIC CONTROL, Clutch Actuator
	52107652	1	J				DBB		
	52107653	1	U				DBB		
7	52107588AB	1					DBB		CLIP, Tube to Dash Panel, Mounting
8									CLIP, Connector
	56038043	1	J				DBB		Mounting
		1	U				DBB		
9									SWITCH, Clutch Starter Interlock
	56009047	1	J				DBB		
		1	U				DBB		
10	00152472	2					DBB		NUT, Slave Cylinder to Clutch Housing, Mounting
11	06032878	2					DBB		STUD, .312-18x2.00, Slave Cylinder to Clutch Housing, Mounting
12	J4007411	2				ER0	DBB		SCREW, Clutch Housing to Engine
13	52107595	1					DBB		Dowel, Mounting
14	53006010	1				EP0, ER0	DBB		BRACKET, Clutch TubeMounting
15	06503299	9					DBB		GROMMET, Timing Probe
							DBB		BOLT, Hex Head, Clutch Housing to Transmission, Mounting

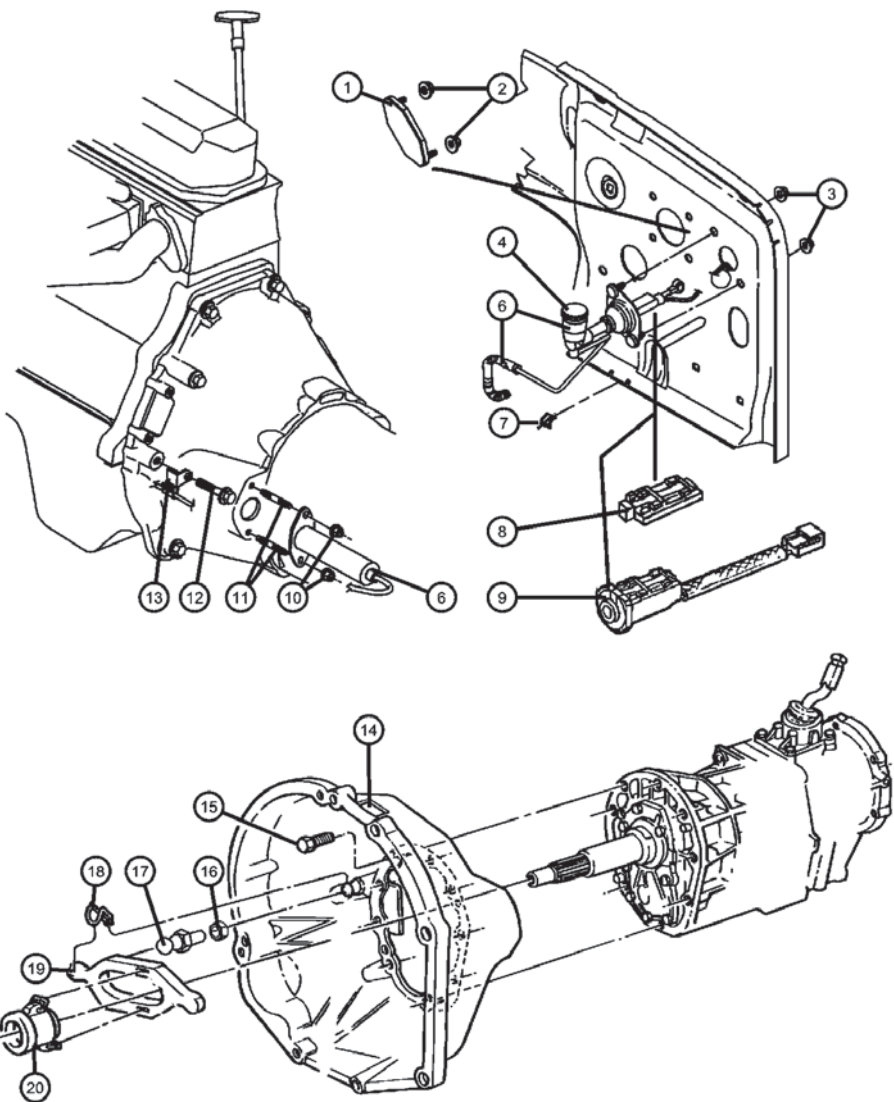
WRANGLER (TJ)

SERIES	LINE	BODY	ENGINE	TRANSMISSION
L = LOWLINE	J = JEEP - 4WD U = JEEP - 4WD (RHD)	77 = OPEN BODY 2-DOOR	EPE = Engine - 2.5L Power Tech I-4 Cyl. ERH = 4.0L Power Tech I-6 Engine	DDQ = 5-Speed Manual Transmission DGD = 3-Spd. Automatic 30RH Transmission DGG = 3-Spd. Automatic 32RH Transmission DG0 = All Automatic Transmissions DBB = All Manual Transmissions

AR = use as required - = Non illustrated part

1997 TJ

Controls,Hydraulic Clutch
Figure 6-310



ITEM	PART NUMBER	QTY	LINE	SERIES	BODY	ENGINE	TRANS	TRIM	DESCRIPTION
16	00152344	1	J, U			EP0, ER0	DBB		NUT, .375-16, Clutch Release Pivot, Mounting
17	52087542	1				ER0	DBB		PIVOT, Clutch Release
18	04338855	1				EP0	DBB		SPRING, Clutch Release
19	52107555	1					DBB		LEVER, Clutch Release
20	53008342	1					DBB		BEARING, Clutch Release

WRANGLER (TJ)

SERIES LINE
L = LOWLINE J = JEEP - 4WD
U = JEEP - 4WD (RHD)

BODY
77 = OPEN BODY 2-DOOR

ENGINE
EPE = Engine - 2.5L Power
Tech I-4 Cyl.
ERH = 4.0L Power Tech I-6
Engine

TRANSMISSION
DDQ = 5-Speed Manual Transmission
DGD = 3-Spd. Automatic 30RH
Transmission
DGG = 3-Spd. Automatic 32RH
Transmission
DG0 = All Automatic Transmissions
DBB = All Manual Transmissions

AR = use as required - = Non illustrated part

1997 TJ